

# DRONES

Portfolio of Drones

HERCULES

ATLAS

DRAKON

BLACKSQUARE

# Who we are


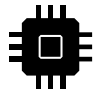


We are an engineering company with more than 10 years of experience, specialized in the development of comprehensive technological solutions based on three areas of expertise:

Robotics

Sensing

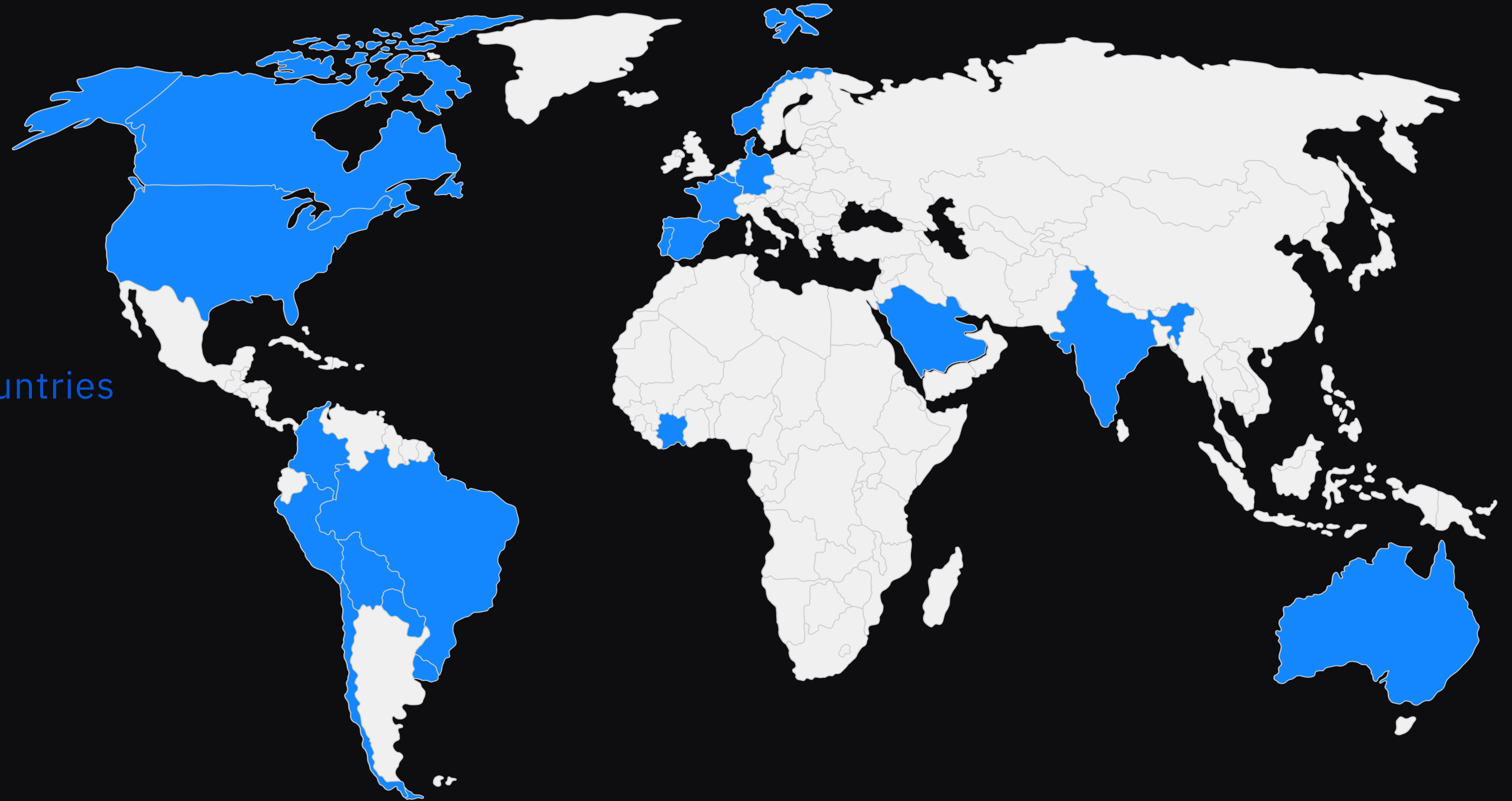
Analytics

# What we offer

01	Drones		→	Hercules X4 Hercules X8	Atlas X4 Atlas X8	Drakon 4000
02	Instruments		→	LiDAR ISR	Magnetometer VLF	Hyperspectral Gamma Ray
03	Remote Sensing		→	Mining Oil & Gas	Civil Engineering	Environment Agriculture
04	Proyects		→	Custom projects with a focus on innovation		



Operating in over **20 countries** worldwide



Robotics

Sensing

Analytics

MANUFACTURED IN COLOMBIA

# HERCULES X4



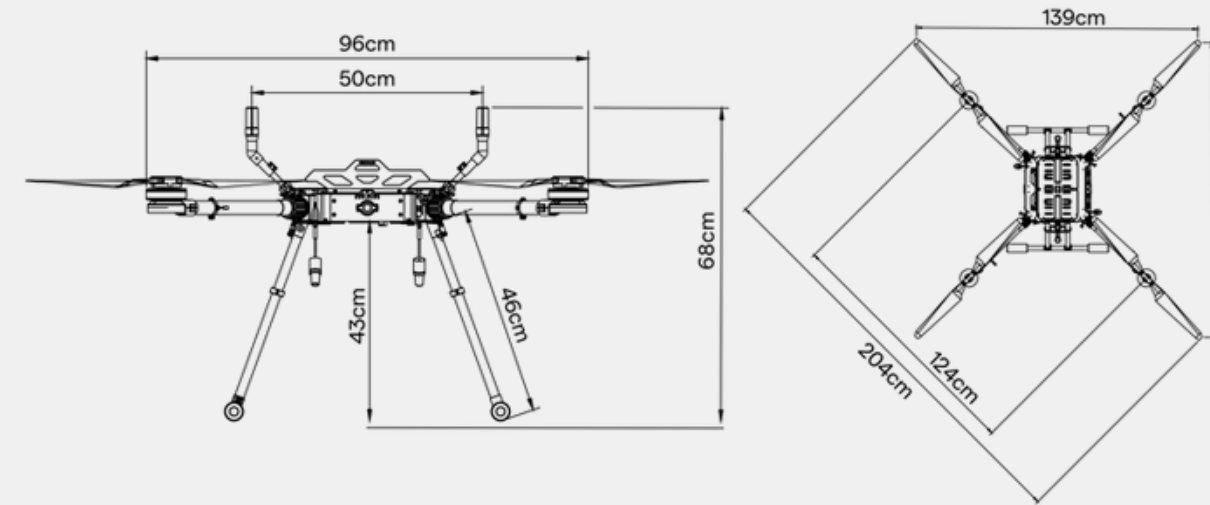
By

# BLACKSQUARE

MANUFACTURED IN COLOMBIA

HERCULES X4

## Technical Specifications



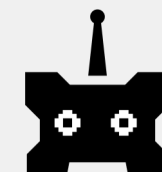
### Especificaciones operativas

Weight of the frame	8 kg
Maximum take-off weight	27 kg
Maximum Payload	6 kg
Wind resistance	10 m/s
Operating temperature	-20 °C a 40 °C
Operational ceiling	5000m asl



### Sistema de propulsión

Number of engines	4
Rotor configuración	Quadróptero
Engine model	T-MOTOR U8 Lite L KV110
Helix size	30.4 " x 10.2"
Nominal operating voltage	45.6 V (12 S)



### Sistema de navegación y control

Flight controller	Cube Orange +
Positioning system	RTK NEO-F9P
Radio control	Herelink PRO
FPV camera	1080P/60FPS

# Battery: x2 TATTU 25000 6S HV



**5 Kg**

AUW = All up weight

The calculations correspond to a consumption of 75% of the battery capacity (reserve of 25%)

● Operate normally

● Operate with caution (avoid winds above 50% of the maximum)

Payloads (kg)	AUW (kg)	0m ASSLL		11000m ASSLL		22000m ASSLL		3000m ASSLL		4000m ASSLL		55000m ASSLL	
		t(min)	th(%)	t(min)	th(%)	t(min)	th(%)	t(min)	th(%)	t(min)	th(%)	t(min)	th(%)
0.0	12.70	45.07	44.74	42.63	47.34	40.25	50.14	37.92	53.47	35.63	57.18	33.40	61.32
1.0	13.70	39.47	46.76	37.27	49.45	35.12	52.61	33.00	56.13	30.95	60.07	28.93	64.46
2.0	14.70	34.70	48.77	32.72	51.73	30.77	55.07	28.85	58.85	26.98	63.03	25.15	67.43
3.0	15.70	30.68	50.78	28.87	53.99	27.08	57.58	25.33	61.54	23.63	65.85	21.97	70.26
4.0	16.70	27.30	52.82	25.62	56.19	23.98	59.95	22.38	64.12	20.82	68.40	19.28	72.77
5.0	17.70	24.33	54.86	22.78	58.45	21.27	62.39	19.78	66.59	18.33	70.88	16.93	75.31
6.0	18.70	21.78	56.87	20.35	60.59	18.93	64.70	17.57	68.87	16.23	73.12	14.90	77.97

# Battery: x2 TATTU 32000 6S ultra HV



**6.4 Kg**

AUW = All up weight

The calculations correspond to a consumption of 75% of the battery capacity (reserve of 25%)

● Operate normally

● Operate with caution (avoid winds above 50% of the maximum)

Payloads (kg)	AUW (kg)	0m ASL		1000m ASL		2000m ASL		3000m ASL		4000m ASL		5000m ASL	
		t(min)	th(%)	t(min)	th(%)	t(min)	th(%)	t(min)	th(%)	t(min)	th(%)	t(min)	th(%)
0.0	14.09	51.82	47.55	48.90	50.31	46.05	53.57	43.27	57.19	40.55	61.22	37.87	65.64
1.0	15.09	45.63	49.55	43.00	52.64	40.42	56.08	37.87	59.92	35.40	64.19	32.97	68.58
2.0	16.09	40.52	51.58	38.10	54.83	35.72	58.50	33.38	62.55	31.13	66.84	28.92	71.24
3.0	17.09	36.10	53.62	33.85	57.07	31.67	60.90	29.55	65.11	27.45	69.39	25.42	73.75
4.0	18.09	32.23	55.64	30.18	59.28	28.15	63.30	26.18	67.48	24.25	71.76	22.38	76.36
5.0	19.09	28.90	57.66	26.98	61.44	25.10	65.55	23.27	69.75	21.48	73.99	17.25	79.01
6.0	20.09	25.92	59.67	24.13	63.62	22.38	67.71	20.65	71.88	16.58	76.38	15.10	81.95

# Battery: x2 TATTU 41000 6S ultra HV



**7.6 Kg**

AUW = All up weight

The calculations correspond to a consumption of 75% of the battery capacity (reserve of 25%)

- Operate normally
- Operate with caution (avoid winds above 50% of the maximum)
- Do not operate

Payloads (kg)	AUW (kg)	0m ASL		1000m ASL		2000m ASL		3000m ASL		4000m ASL		5000m ASL	
		t(min)	th(%)	t(min)	th(%)	t(min)	th(%)	t(min)	th(%)	t(min)	th(%)	t(min)	th(%)
0.0	15.23	61.88	49.83	58.28	52.97	54.77	56.44	51.30	60.31	47.92	64.61	44.62	68.99
1.0	16.23	55.02	51.86	51.70	55.13	48.45	58.83	45.28	62.91	42.20	67.20	39.17	71.59
2.0	17.23	49.00	53.90	45.95	57.39	42.98	61.24	40.07	65.45	37.22	69.75	34.43	74.10
3.0	18.23	43.80	55.93	41.00	59.58	38.22	63.62	35.52	67.80	32.88	72.08	30.33	76.73
4.0	19.23	39.27	57.94	36.63	61.75	34.07	65.86	31.58	70.06	29.12	74.30	23.37	79.38
5.0	20.23	35.22	59.95	32.77	63.93	30.40	68.01	28.02	72.18	22.47	76.73	20.43	82.39
6.0	21.23	31.77	61.73	29.47	65.74	23.82	69.85	21.80	73.99	19.85	78.87	17.97	85.06

# HERCULES X8

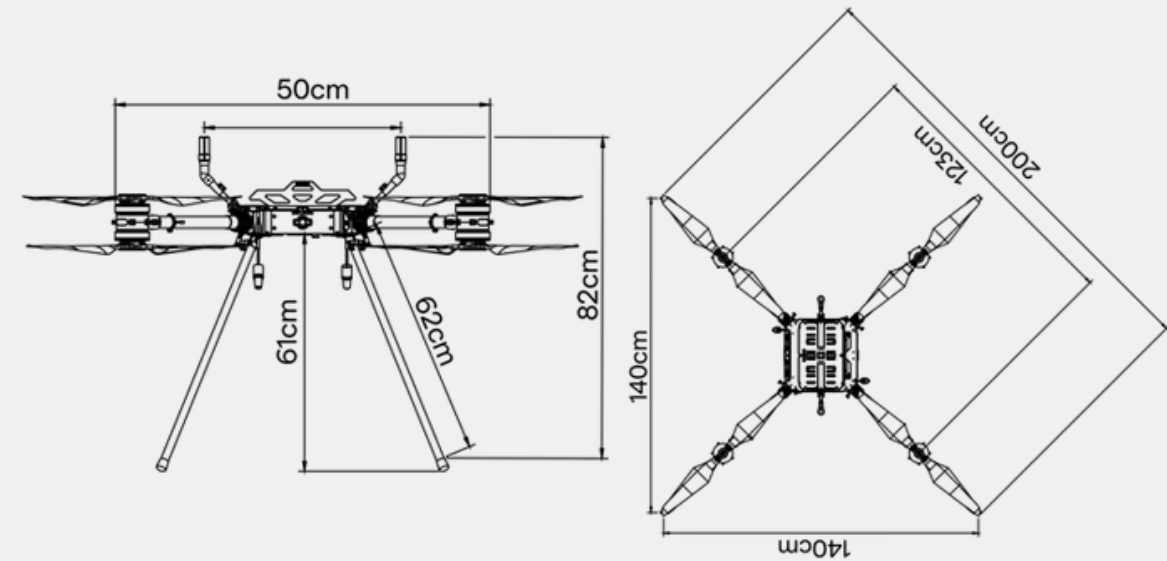


By

# BLACKSQUARE

HERCULES X8

## Technical Specifications



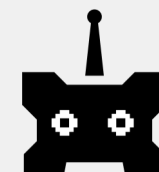
### Especificaciones operativas

Weight of the frame	10 kg
Maximum take-off weight	37 kg
Maximum Payload	12 kg
Wind resistance	10 m/s
Operating temperature	-20 °C a 40 °C
Operational ceiling	5000m asl



### Sistema de propulsión

Number of engines	8
Rotor configuración	Octo-quad
Engine model	T-MOTOR U8 Lite L KV110
Helix size	30 " x 10.5"
Nominal operating voltage	45.6 V (12 S)



### Sistema de navegación y control

Flight controller	Cube Orange +
Positioning system	H-RTK NEO-F9P
Radio control	Herelink PRO
FPV camera	1080P/60FPS

# Battery: x4 TATTU 25000 6S HV



**10 Kg**

AUW = All up weight

The calculations correspond to a consumption of 75% of the battery capacity (reserve of 25%)

● Operate normally

● Operate with caution (avoid winds above 50% of the maximum)

Payloads (kg)	AUW (kg)	0m ASL		1000m ASL		2000m ASL		3000m ASL		4000m ASL		5000m ASL	
		t(min)	th(%)	t(min)	th(%)	t(min)	th(%)	t(min)	th(%)	t(min)	th(%)	t(min)	th(%)
0.0	20.00	48.53	46.35	46.23	46.99	43.93	47.67	41.67	48.40	39.30	49.23	36.98	50.13
1.0	21.00	45.12	47.31	42.92	47.99	40.70	48.73	38.42	49.57	36.18	50.44	34.00	51.37
2.0	22.00	42.00	48.29	39.80	49.05	37.62	49.88	35.48	50.74	33.37	51.66	31.30	52.66
3.0	23.00	39.00	49.34	36.90	50.16	34.83	51.01	32.80	51.92	30.80	52.91	28.85	53.97
4.0	24.00	36.25	50.42	34.25	51.26	32.28	52.17	30.37	53.14	28.47	54.19	26.62	55.31
5.0	25.00	33.72	51.50	31.82	52.39	29.97	53.36	28.13	54.39	26.33	55.47	24.57	56.59
6.0	26.00	31.40	52.60	29.60	53.55	27.83	54.57	26.08	55.62	24.38	56.72	22.72	57.91
7.0	27.00	29.28	53.73	27.57	54.74	25.87	55.75	24.22	56.83	22.60	58.00	21.00	59.25
8.0	28.00	27.32	54.88	25.68	55.87	24.07	56.93	22.50	58.07	20.95	59.30	19.43	60.54
9.0	29.00	25.52	55.98	23.95	57.02	22.40	58.14	20.90	59.34	19.42	60.54	17.97	61.74
10.0	30.00	23.83	57.10	22.33	58.19	20.87	59.37	19.42	60.54	18.00	61.71	16.62	62.97
11.0	31.00	22.30	58.22	20.87	59.37	19.45	60.52	18.07	61.65	16.72	62.88	15.38	64.20
12.0	32.00	20.90	59.34	19.53	60.46	18.17	61.57	16.83	62.76	15.53	64.04	14.27	65.35

# Battery: x4 TATTU 32000 6S ultra HV



**12.8 Kg**

AUW = All up weight

The calculations correspond to a consumption of 75% of the battery capacity (reserve of 25%)

● Operate normally

● Operate with caution (avoid winds above 50% of the maximum)

Payloads (kg)	AUW (kg)	0m ASL		1000m ASL		2000m ASL		3000m ASL		4000m ASL		5000m ASL	
		t(min)	th(%)	t(min)	th(%)	t(min)	th(%)	t(min)	th(%)	t(min)	th(%)	t(min)	th(%)
0.0	22.78	54.75	49.11	51.83	49.92	48.95	50.76	46.12	51.66	43.33	52.63	40.62	53.68
1.0	23.78	50.88	50.19	48.10	51.02	45.37	51.91	42.68	52.87	40.07	53.91	37.48	55.03
2.0	24.78	47.35	51.26	44.70	52.14	42.12	53.09	39.57	54.12	37.07	55.20	34.62	56.31
3.0	25.78	44.10	52.36	41.58	53.30	39.12	54.31	36.70	55.36	34.33	56.45	32.00	57.62
4.0	26.78	41.12	53.48	38.73	54.47	36.38	55.50	34.08	56.56	31.83	57.71	29.62	58.96
5.0	27.78	38.38	54.63	36.10	55.63	33.87	56.67	31.67	57.80	29.52	59.01	27.42	60.28
6.0	28.78	35.85	55.74	33.67	56.77	31.53	57.87	29.45	59.06	27.40	60.29	25.38	61.47
7.0	29.78	33.50	56.85	31.42	57.93	29.38	59.10	27.38	60.30	25.42	61.45	23.48	62.69
8.0	30.78	31.33	57.98	29.35	59.12	27.40	60.29	25.47	61.41	23.58	62.63	21.75	63.94
9.0	31.78	29.40	59.09	27.48	60.24	25.60	61.33	23.77	62.51	21.95	63.78	20.20	65.13
10.0	32.78	27.58	60.19	25.73	61.25	23.93	62.40	22.17	63.63	20.43	64.97	18.73	66.16
11.0	33.78	25.87	61.17	24.10	62.29	22.37	63.49	20.67	64.78	19.00	65.96	14.52	67.24
12.0	34.78	24.27	62.17	22.57	63.34	20.90	64.60	19.25	65.77	14.78	67.02	13.38	68.31

# Battery: x4 TATTU 41000 6S ultra HV



**15.2 Kg**

AUW = All up weight

The calculations correspond to a consumption of 75% of the battery capacity (reserve of 25%)

● Operate normally

● Operate with caution (avoid winds above 50% of the maximum)

Payloads (kg)	AUW (kg)	0m ASL		1000m ASL		2000m ASL		3000m ASL		4000m ASL		5000m ASL	
		t(min)	th(%)	t(min)	th(%)	t(min)	th(%)	t(min)	th(%)	t(min)	th(%)	t(min)	th(%)
0.0	25.06	64.03	51.57	60.43	52.47	56.92	53.43	53.45	54.48	50.05	55.55	46.72	56.67
1.0	26.06	59.67	52.67	56.23	53.63	52.88	54.65	49.60	55.70	46.37	56.80	43.20	57.99
2.0	27.06	55.65	53.80	52.40	54.81	49.20	55.83	46.07	56.91	43.00	58.08	39.98	59.34
3.0	28.06	51.95	54.96	48.85	55.95	45.80	57.01	42.82	58.15	39.88	59.39	37.02	60.62
4.0	29.06	48.53	56.05	45.57	57.10	42.65	58.22	39.80	59.43	37.00	60.62	34.27	61.82
5.0	30.06	45.35	57.17	42.52	58.27	39.75	59.45	37.02	60.62	34.33	61.78	31.72	63.05
6.0	31.06	42.47	58.29	39.75	59.45	37.08	60.59	34.47	61.73	31.90	62.96	29.38	64.29
7.0	32.06	39.83	59.41	37.22	60.53	34.65	61.64	32.15	62.83	29.68	64.12	27.28	65.42
8.0	33.06	37.37	60.47	34.85	61.55	32.38	62.71	29.98	63.96	27.62	65.26	21.22	66.50
9.0	34.06	35.05	61.46	32.63	62.59	30.27	63.80	27.95	65.09	25.67	66.25	19.58	67.55
10.0	35.06	32.88	62.47	30.55	63.65	28.28	64.92	26.03	66.06	19.95	67.32	18.05	68.63
11.0	36.06	30.87	63.48	28.63	64.72	26.43	65.85	20.32	67.07	18.45	68.34	16.62	69.72
12.0	37.06	29.00	64.51	26.83	65.65	20.70	66.82	18.87	68.05	17.05	69.38	15.27	70.73

# Class C3 Certification

ALTER TECHNOLOGY TÜV  
NORD S.A.U.O.N. 2031 / NB  
2031

Certifies the product  
Unmanned Aircraft  
System - UAS

Models See note 1):  
**HERCULES X4 & X8**



Compliant with the requirements set forth in the regulation: Delegated Regulation (EU) 2019/945 UAS of 12 March 2019, amended by Delegated Regulation (EU) 2020/1058 of 27 April 2020 As per article 2, according to the corresponding requirements as CLASS: C3



This certification is critical in the European Union because it enables the operation of larger and more capable drones under stricter technical and operational standards, allowing more demanding professional missions to be carried out within a safe and fully compliant regulatory framework



ALTER TECHNOLOGY TÜV NORD

13,839 followers

1d • 🌐

Exciting News! [#BlackSquare](#) [#HerculesX4](#) and [#HerculesX8](#) Achieve [#C3Class](#) Certification! This achievement means they can now be commercialised and operated within the European Union.

What's more, the BlackSquare Hercules X8 is the first drone model with a declared MTOM of 24.9kg to receive this certification!

[BlackSquareSAS](#)



# What is in the box



# ATLAS X4

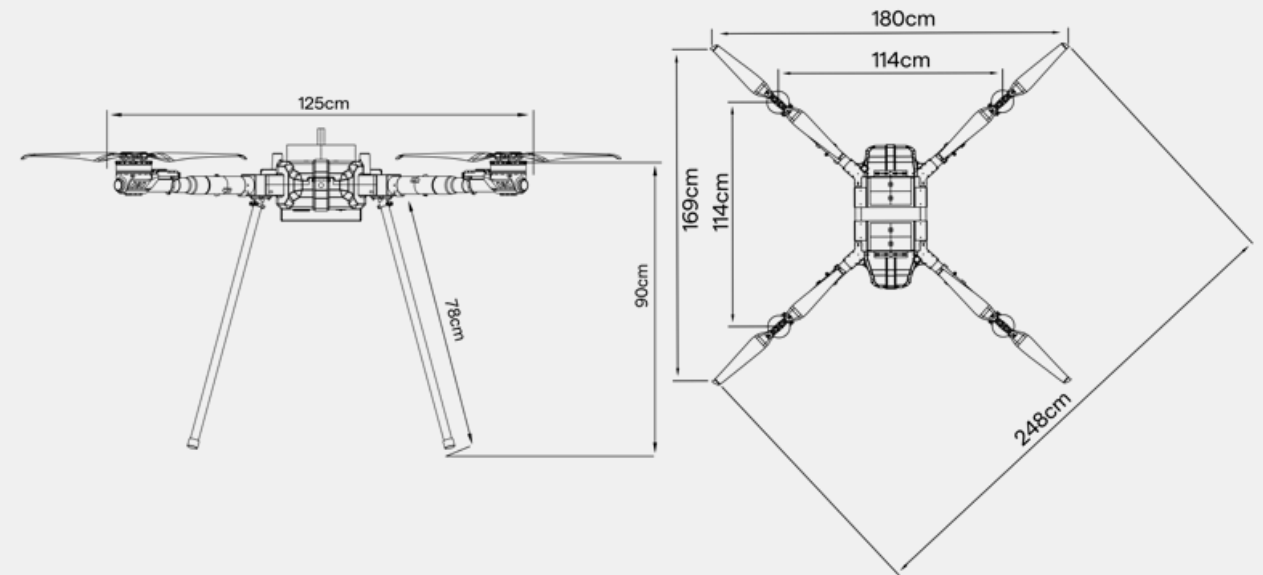


By

# BLACKSQUARE

ATLAS X4

## Technical Specifications



### Especificaciones operativas

Weight of the frame	16 kg
Maximum take-off weight	60 kg
Maximum Payload	20 kg
Wind resistance	10 m/s
Operating temperature	-20 °C a 40 °C
Operational ceiling	5000m asl



### Sistema de propulsión

Number of engines	4
Rotor configuración	Quadróptero
Engine model	T-MOTOR A10KV120
Helix size	34.5 " x 10.2"
Nominal operating voltage	45.6 V (12 S)



### Sistema de navegación y control

Flight controller	Cube Orange + H-
Positioning system	RTK NEO-F9P
Radio control	Herelink PRO
FPV camera	1080P/60FPS

# Battery: x4 TATTU 25000 6S HV



10 Kg

AUW = All up weight

The calculations correspond to a consumption of 75% of the battery capacity (reserve of 25%)



Operate normally



Operate with caution (avoid winds above 50% of the maximum)

Payloads (kg)	AUW (kg)	0m ASL		1000m ASL		2000m ASL		3000m ASL		4000m ASL		5000m ASL	
		t(min)	th(%)	t(min)	th(%)	t(min)	th(%)	t(min)	th(%)	t(min)	th(%)	t(min)	th(%)
0.0	25.26	57.17	43.51	53.50	45.87	49.98	48.37	46.55	51.09	43.25	54.03	40.10	57.22
2.0	27.26	49.17	45.38	45.93	47.80	42.82	50.40	39.83	53.25	36.98	56.31	34.23	59.62
4.0	29.26	42.73	47.11	39.88	49.62	37.15	52.34	34.52	55.29	31.93	58.46	29.45	61.90
6.0	31.26	37.33	48.84	34.82	51.46	32.33	54.29	29.95	57.33	27.65	60.62	25.47	64.18
8.0	33.26	32.73	50.57	30.42	53.28	28.20	56.20	26.08	59.35	24.03	62.75	22.05	66.41
10.0	35.26	28.72	52.26	26.67	55.06	24.67	58.07	22.75	61.32	20.88	64.83	19.10	68.58
12.0	37.26	25.28	53.95	23.43	56.84	21.60	59.94	19.87	63.29	18.17	66.89	16.55	70.75
14.0	39.26	22.37	55.58	20.65	58.54	19.00	61.74	17.40	65.18	15.87	68.85	14.38	72.86
16.0	41.26	19.88	57.08	18.32	60.12	16.80	63.41	15.33	66.92	13.90	70.69	10.47	74.81
18.0	43.26	17.70	58.59	16.25	61.71	14.83	65.08	11.30	68.65	10.13	72.54	9.00	76.75
20.0	45.26	15.75	60.10	14.40	63.30	10.95	66.72	9.83	70.39	8.75	74.39	7.68	78.68

# Battery: x4 TATTU 32000 6S ultra HV



**12.8 Kg**

AUW = All up weight  
 The calculations correspond to a consumption of 75% of the battery capacity (reserve of 25%)

- Operate normally
- Operate with caution (avoid winds above 50% of the maximum)

Payloads (kg)	AUW (kg)	0m ASL		1000m ASL		2000m ASL		3000m ASL		4000m ASL		5000m ASL	
		t(min)	th(%)	t(min)	th(%)	t(min)	th(%)	t(min)	th(%)	t(min)	th(%)	t(min)	th(%)
0.0	28.04	64.22	46.05	59.98	48.51	55.92	51.16	52.02	54.04	48.27	57.15	44.60	60.51
2.0	30.04	55.95	47.79	52.22	50.33	48.63	53.10	45.12	56.08	41.73	59.30	38.48	62.79
4.0	32.04	49.02	49.52	45.65	52.18	42.38	55.04	39.23	58.13	36.23	61.46	33.33	65.07
6.0	34.04	42.98	51.23	39.95	53.98	37.03	56.93	34.23	60.11	31.52	63.56	28.90	67.26
8.0	36.04	37.80	52.92	35.08	55.75	32.47	58.80	29.90	62.09	27.43	65.63	25.08	69.42
10.0	38.04	33.35	54.61	30.85	57.53	28.45	60.67	26.15	64.07	23.92	67.69	21.78	71.61
12.0	40.04	29.62	56.16	27.33	59.16	25.13	62.39	23.03	65.86	20.98	69.56	19.00	73.62
14.0	42.04	26.37	57.67	24.28	60.74	22.27	64.06	20.30	67.59	15.45	71.41	13.83	75.57
16.0	44.04	23.50	59.18	21.57	62.33	19.68	65.72	14.97	69.33	13.42	73.26	11.92	77.50
18.0	46.04	20.92	60.68	19.10	63.91	14.53	67.36	13.05	71.06	11.58	75.10	10.17	79.42
20.0	48.04	18.57	62.17	14.12	65.47	12.68	68.98	11.28	72.79	9.90	76.91	8.58	81.33

# Battery: x4 TATTU 41000 6S ultra HV



**15.2 Kg**

AUW = All up weight

The calculations correspond to a consumption of 75% of the battery capacity (reserve of 25%)



Operate normally



Operate with caution (avoid winds above 50% of the maximum)

Payloads (kg)	AUW (kg)	0m ASL		1000m ASL		2000m ASL		3000m ASL		4000m ASL		5000m ASL	
		t(min)	th(%)	t(min)	th(%)	t(min)	th(%)	t(min)	th(%)	t(min)	th(%)	t(min)	th(%)
0.0	30.32	75.77	48.03	70.70	50.59	65.83	53.37	61.03	56.37	56.43	59.60	52.03	63.11
2.0	32.32	66.40	49.76	61.82	52.44	57.37	55.31	53.10	58.41	49.02	61.76	45.10	65.38
4.0	34.32	58.23	51.46	54.12	54.22	50.15	57.19	46.33	60.39	42.65	63.85	39.08	67.56
6.0	36.32	51.25	53.16	47.53	56.00	43.95	59.06	40.47	62.37	37.13	65.92	33.92	69.73
8.0	38.32	45.22	54.85	41.82	57.78	38.55	60.94	35.40	64.34	32.37	67.97	29.45	71.92
10.0	40.32	40.18	56.37	37.08	59.38	34.10	62.62	31.22	66.10	28.42	69.82	25.70	73.89
12.0	42.32	35.80	57.88	32.95	60.97	30.20	64.29	27.50	67.84	20.88	71.67	18.68	75.84
14.0	44.32	31.90	59.39	29.25	62.56	26.67	65.95	20.27	69.57	18.15	73.52	16.08	77.77
16.0	46.32	28.38	60.89	25.90	64.13	19.67	67.58	17.63	71.30	15.65	75.35	13.70	79.69
18.0	48.32	21.15	62.38	19.12	65.69	17.17	69.21	15.23	73.04	13.35	77.16	11.55	81.60
20.0	50.32	18.62	63.87	16.73	67.23	14.85	70.84	13.05	74.77	11.30	78.97	9.58	83.52

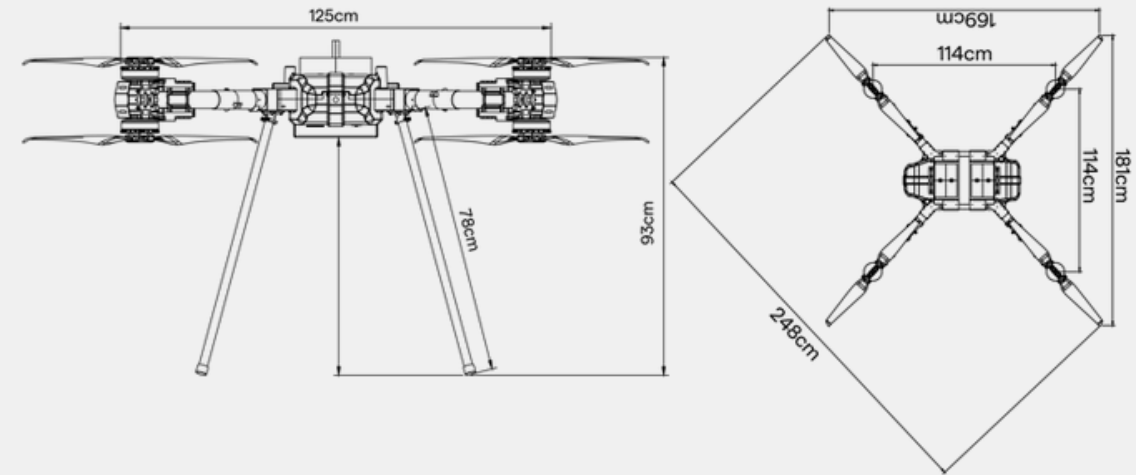
# ATLAS X8



By  
**BLACKSQUARE**

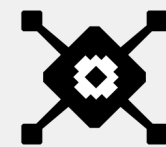
ATLAS X8

## Technical Specifications



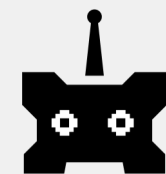
### Especificaciones operativas

Weight of the frame	26 kg
Maximum take-off weight	100 kg
Maximum Payload	40 kg
Wind resistance	10 m/s
Operating temperature	-20 °C a 40 °C
Operational ceiling	5000m asl



### Sistema de propulsión

Number of engines	8
Rotor configuración	Octo-quad
Engine model	T-MOTOR U8 Lite L KV120
Helix size	34.5" x 10.2"
Nominal operating voltage	45.6 V (12 S)



### Sistema de navegación y control

Flight controller	Cube Orange +
Positioning system	H-RTK NEO-F9P
Radio control	Edición PRO
FPV camera	1080P/60FPS

# Battery: x8 TATTU 25000 6S HV



**20 Kg**

AUW = All up weight

The calculations correspond to a consumption of 75% of the battery capacity (reserve of 25%)

● Operate normally

● Operate with caution (avoid winds above 50% of the maximum)

Payloads (kg)	AUW (kg)	0m ASL		1000m ASL		2000m ASL		3000m ASL		4000m ASL		5000m ASL	
		t(min)	th(%)	t(min)	th(%)	t(min)	th(%)	t(min)	th(%)	t(min)	th(%)	t(min)	th(%)
0.0	42.52	57.83	42.97	54.12	43.79	50.53	44.69	47.10	45.53	43.78	46.39	40.60	47.31
2.0	44.52	52.88	44.09	49.45	44.98	46.15	45.77	42.97	46.61	39.92	47.53	36.98	48.51
4.0	46.52	48.50	45.20	45.33	45.98	42.28	46.81	39.33	47.71	36.50	48.69	33.73	49.75
6.0	48.52	44.60	46.17	41.65	47.00	38.80	47.88	36.07	48.84	33.40	49.90	30.83	50.87
8.0	50.52	41.08	47.17	38.33	48.04	35.68	48.99	33.08	50.02	30.60	50.96	28.22	51.97
10.0	52.52	37.90	48.19	35.33	49.12	32.82	50.12	30.40	51.04	28.08	52.03	25.85	53.11
12.0	54.52	35.07	49.22	32.63	50.19	30.28	51.09	28.02	52.06	25.85	53.11	23.75	54.24
14.0	56.52	32.53	50.22	30.23	51.10	28.03	52.05	25.90	53.08	23.85	54.18	21.83	55.34
16.0	58.52	30.20	51.12	28.05	52.05	25.97	53.04	23.97	54.12	22.00	55.26	20.10	56.34
18.0	60.52	28.08	52.03	26.05	53.01	24.08	54.06	22.15	55.18	20.28	56.23	18.48	57.36
20.0	62.52	26.12	52.97	24.20	53.99	22.30	55.09	20.47	56.11	18.72	57.22	17.02	58.41
22.0	64.52	24.32	53.92	22.47	55.01	20.67	56.00	18.93	57.07	17.27	58.23	15.65	59.48
24.0	66.52	22.62	54.92	20.85	55.90	19.13	56.93	17.50	58.05	15.92	59.26	14.37	60.51
26.0	68.52	21.03	55.80	19.35	56.80	17.73	57.89	16.17	59.06	14.65	60.29	13.17	61.51
28.0	70.52	19.55	56.68	17.95	57.73	16.42	58.86	14.92	60.08	13.47	61.26	9.47	62.57
30.0	72.52	18.18	57.57	16.67	58.67	15.20	59.86	13.75	61.01	9.72	62.28	8.57	63.61
32.0	74.52	16.92	58.49	15.47	59.64	14.03	60.78	9.98	62.00	8.85	63.28	7.75	64.67
34.0	76.52	15.72	59.42	14.32	60.55	12.95	61.69	9.12	62.97	8.02	64.31	6.95	65.65
36.0	78.52	14.63	60.30	13.30	61.40	9.40	62.63	8.33	63.92	7.28	65.26	6.25	66.57
38.0	80.52	13.63	61.11	9.72	62.29	8.63	63.53	7.60	64.86	6.58	66.14	5.58	67.50
40.0	82.52	10.02	61.97	8.95	63.16	7.92	64.45	6.90	65.72	5.92	67.02	5.17	68.42

# Battery: x8 TATTU 32000 6S ultra HV



**25.6 Kg**

AUW = All up weight

The calculations correspond to a consumption of 75% of the battery capacity (reserve of 25%)

● Operate normally

● Operate with caution (avoid winds above 50% of the maximum)

Payloads (kg)	AUW (kg)	0m ASL		1000m ASL		2000m ASL		3000m ASL		4000m ASL		5000m ASL	
		t(min)	th(%)	t(min)	th(%)	t(min)	th(%)	t(min)	th(%)	t(min)	th(%)	t(min)	th(%)
0.0	48.08	62.73	45.95	58.60	46.77	54.63	47.65	50.82	48.59	47.08	49.63	43.50	50.63
2.0	50.08	57.77	46.95	53.93	47.81	50.25	48.74	46.63	49.76	43.15	50.73	39.82	51.73
4.0	52.08	53.32	47.96	49.73	48.88	46.22	49.89	42.85	50.81	39.62	51.79	36.50	52.86
6.0	54.08	49.30	49.00	45.90	49.99	42.62	50.88	39.47	51.84	36.43	52.88	33.52	54.00
8.0	56.08	45.73	50.03	42.53	50.90	39.47	51.84	36.50	52.85	33.65	53.95	30.85	55.13
10.0	58.08	42.48	50.92	39.47	51.84	36.58	52.83	33.78	53.89	31.05	55.05	28.42	56.12
12.0	60.08	39.50	51.83	36.67	52.80	33.93	53.83	31.25	54.97	28.67	56.01	26.17	57.14
14.0	62.08	36.75	52.76	34.08	53.77	31.47	54.88	28.92	55.91	26.47	57.00	24.10	58.18
16.0	64.08	34.23	53.71	31.67	54.79	29.17	55.80	26.75	56.86	24.43	58.00	22.20	59.24
18.0	66.08	31.87	54.70	29.42	55.70	27.03	56.73	24.75	57.84	22.55	59.04	20.42	60.30
20.0	68.08	29.65	55.61	27.32	56.60	25.07	57.68	22.90	58.84	20.80	60.09	18.75	61.29
22.0	70.08	27.58	56.48	25.37	57.53	23.23	58.65	21.17	59.87	19.15	61.05	17.20	62.31
24.0	72.08	25.67	57.38	23.57	58.47	21.53	59.64	19.53	60.81	17.62	62.02	12.35	63.39
26.0	74.08	23.90	58.29	21.90	59.42	19.93	60.58	18.02	61.75	12.72	63.07	11.18	64.45
28.0	76.08	22.25	59.22	20.32	60.36	18.43	61.49	13.07	62.76	11.57	64.09	10.10	65.45
30.0	78.08	20.73	60.12	18.87	61.22	13.47	62.44	11.97	63.72	10.53	65.09	9.10	66.39
32.0	80.08	19.33	60.93	17.55	62.07	12.40	63.34	10.97	64.67	9.55	65.95	8.18	67.31
34.0	82.08	18.03	61.75	12.82	62.98	11.40	64.25	10.00	65.54	8.63	66.84	7.32	68.25
36.0	84.08	13.23	62.63	11.82	63.86	10.45	65.16	9.08	66.40	7.77	67.75	6.77	69.19
38.0	86.08	12.23	63.48	10.87	64.76	9.53	65.98	8.22	67.27	6.97	68.67	5.98	70.15
40.0	88.08	11.28	64.35	9.97	65.58	8.67	66.82	7.40	68.15	6.45	69.58	5.22	71.08

# Battery: x8 TATTU 41000 6S ultra HV



**30.4 Kg**

AUW = All up weight

The calculations correspond to a consumption of 75% of the battery capacity (reserve of 25%)

● Operate normally

● Operate with caution (avoid winds above 50% of the maximum)

Payloads (kg)	AUW (kg)	0m ASL		1000m ASL		2000m ASL		3000m ASL		4000m ASL		5000m ASL	
		t(min)	th(%)	t(min)	th(%)	t(min)	th(%)	t(min)	th(%)	t(min)	th(%)	t(min)	th(%)
0.0	52.64	71.95	48.26	67.07	49.19	62.32	50.18	57.77	51.10	53.37	52.10	49.15	53.18
2.0	54.64	66.60	49.29	61.98	50.24	57.55	51.15	53.27	52.13	49.17	53.18	45.20	54.32
4.0	56.64	61.80	50.28	57.47	51.17	53.30	52.12	49.28	53.15	45.42	54.26	41.60	55.41
6.0	58.64	57.42	51.18	53.33	52.11	49.42	53.11	45.62	54.19	41.88	55.32	38.30	56.41
8.0	60.64	53.40	52.09	49.55	53.07	45.85	54.13	42.18	55.24	38.67	56.29	35.27	57.43
10.0	62.64	49.70	53.03	46.07	54.06	42.50	55.16	39.03	56.18	35.70	57.28	32.48	58.48
12.0	64.64	46.30	53.99	42.80	55.07	39.40	56.07	36.12	57.14	32.97	58.30	29.92	59.55
14.0	66.64	43.08	54.99	39.73	55.96	36.52	57.00	33.42	58.12	30.42	59.34	27.50	60.59
16.0	68.64	40.08	55.86	36.92	56.87	33.85	57.96	30.90	59.13	28.03	60.36	25.25	61.59
18.0	70.64	37.30	56.74	34.28	57.79	31.38	58.93	28.55	60.15	25.80	61.33	18.23	62.65
20.0	72.64	34.72	57.64	31.85	58.74	29.07	59.93	26.35	61.08	23.73	62.31	16.57	63.70
22.0	74.64	32.32	58.55	29.58	59.71	26.88	60.84	24.30	62.03	17.08	63.37	15.00	64.77
24.0	76.64	30.07	59.49	27.42	60.62	24.87	61.76	17.58	63.00	15.53	64.40	13.53	65.74
26.0	78.64	28.05	60.36	25.50	61.46	18.15	62.71	16.12	64.00	14.13	65.34	12.18	66.67
28.0	80.64	26.15	61.17	23.72	62.32	16.70	63.61	14.75	64.95	12.82	66.22	10.93	67.60
30.0	82.64	24.38	62.00	17.28	63.24	15.33	64.53	13.43	65.80	11.57	67.12	9.77	68.55
32.0	84.64	17.85	62.89	15.93	64.13	14.05	65.40	12.18	66.66	10.38	68.03	9.02	69.49
34.0	86.64	16.50	63.74	14.63	65.03	12.80	66.23	11.02	67.54	9.67	68.94	7.95	70.44
36.0	88.64	15.22	64.61	13.40	65.82	11.63	67.08	9.92	68.43	8.58	69.88	6.90	71.39
38.0	90.64	14.00	65.43	12.23	66.64	10.50	67.94	9.22	69.32	7.57	70.79	5.90	72.37
40.0	92.64	12.82	66.23	11.10	67.47	9.45	68.82	8.18	70.24	6.55	71.73	4.95	73.36

# Accessories



## Charging System

Charging station capable of charging **up to 8 batteries simultaneously** at **1200 W of power**.

The system can fully charge all 8 batteries in approximately **120 minutes**.

---



## Starlink System

Telemetry system based on the **Starlink Mini antenna**.

Enables transmission of the **drone's flight parameters to any ground station**, regardless of **distance or terrain topology**.

---



## Parachute System

Parachute system with **remote-controlled and automatic deployment** (automatically triggered if sudden changes in angles or acceleration are detected).

The system ensures a **descent rate between 3–4.5 m/s** for an **AUW between 25–30 kg**.

---



## Radar System

Proximity radar system with a **maximum range of 100 m**.

It can operate as a **terrain-following device** (pointing downward), or as an **obstacle detection device** (pointing forward).

---

# DRAGON 3000

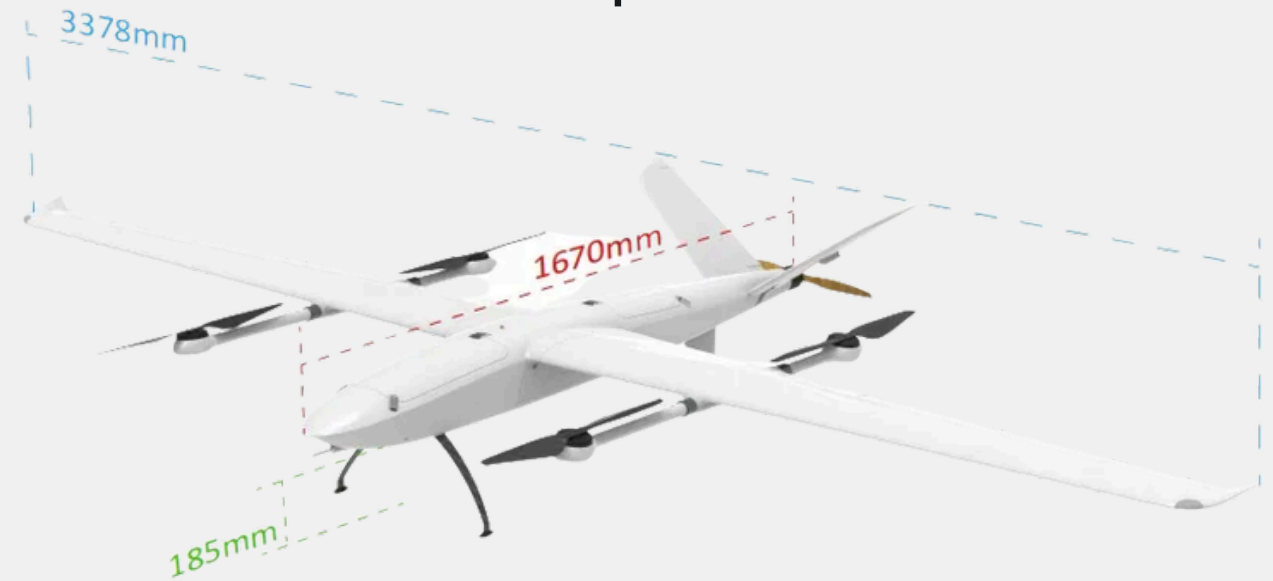


By

# BLACKSQUARE

**DRAGON 3000**

## Technical Specifications



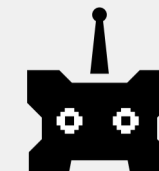
### Operational Specifications

Frame Weight	10 kg
Maximum Takeoff Weight (MTOW)	18.5 kg
Maximum Payload	2.5 kg
Wind Resistance	43.2 km/h
Operating Temperature	-20 °C - 60 °C
Operational Ceiling	5000m ASL



### Navigation System

Flight Controller	CUAV
Positioning System	CUAV 2HP
Radio Control	



### Propulsion System

	VERTICAL	HORIZONTAL
Number of Motors	4	1
Rotor Configuration	Quadcoptero	Pusher
Motor Model	T-MOTOR V62 210KV	T-MOTOR 5225 KV180
Propeller Size	22-inch	18-inch
Nominal Operating Voltage	50.2 V	50.2 V

# Battery: X-Turbo 33000 12S



5 Kg

AUW = All up weight  
 The calculations correspond to a consumption of 75% of the battery capacity (reserve of 25%)

- Operate normally
- Operate with caution (avoid winds above 50% of the maximum)

Payloads (kg)	AUW (kg)	0m ASL		1000m ASL		2000m ASL		3000m ASL		4000m ASL		5000m ASL	
		t(min)	th(%)	t(min)	th(%)	t(min)	th(%)	t(min)	th(%)	t(min)	th(%)	t(min)	th(%)
0.5	15.6	195	45	182	48	173	50	164	53	148	56	133	58
1.0	16.1	193	46	180	49	171	51	162	54	146	57	132	60
1.5	16.6	175	50	163	53	155	56	147	58	132	61	119	64
2.0	17.1	160	54	148	57	141	60	134	63	120	66	108	69
2.5	17.6	145	58	133	61	126	64	120	67	108	71	97	74

# DRAKON 4000



By

# BLACKSQUARE

DRAKON 3000

## Technical Specifications



### Operational Specifications

Frame Weight	14 kg
Maximum Takeoff Weight (MTOW)	34 kg
Maximum Payload	10 kg
Wind Resistance	30 m/s
Operating Temperature	-20 °C - 60 °C
Operational Ceiling	5000m ASL



### Navigation System

Flight Controller	CUAV
Positioning System	CUAV 2HP
Radio Control	



### Propulsion System

	VERTICAL	HORIZONTAL
Number of Motors	4	1
Rotor Configuration	Quadcoptero	Pusher
Motor Model	T-MOTOR	T-MOTOR
Propeller Size	26"	22"
Nominal Operating Voltage	45.6 V (12 S)	45.6 V (12 S)

# Battery: x2 X-Turbo 33000 12S



**10 Kg**

AUW = All up weight

The calculations correspond to a consumption of 75% of the battery capacity (reserve of 25%)

- Operate normally
- Operate with caution (avoid winds above 50% of the maximum)
- Do not operate





Payloads (kg)	AUW (kg)	0m ASL		1000m ASL		2000m ASL		3000m ASL		4000m ASL		5000m ASL	
						th( %)	t(min)	th(%)	t(min)	th(%)	t(min)	th(%)	
0.0	24.00	193.00	46.00	184.00	48.00	175.00	50.00	167.00	54.00	158.00	57.00	150.00	61.00
1.0	25.00	180.00	45.00	169.00	46.00	160.00	49.40	150.00	52.18	144.00	55.19	136.00	58.44
2.0	26.00	173.00	52.00	165.00	55.00	157.00	58.00	149.00	61.00	142.00	64.00	134.00	68.00
3.0	27.00	165.00	55.00	157.00	58.00	149.00	61.00	142.00	64.00	135.00	67.00	128.00	70.00
4.0	28.00	157.00	58.00	149.00	61.00	142.00	64.00	135.00	67.00	128.00	70.00	121.00	73.00
5.0	29.00	149.00	61.00	143.00	64.00	135.00	67.00	129.00	70.00	122.00	73.00	116.00	76.00
6.0	30.00	143.00	64.00	136.00	67.00	129.00	70.00	123.00	73.00	116.00	76.00	110.00	79.00
7.0	31.00	137.00	67.00	129.00	70.00	123.00	73.00	117.00	76.00	110.00	79.00	104.00	82.00
8.0	32.00	131.00	70.00	122.00	73.00	117.00	76.00	111.00	79.00	104.00	82.00	98.00	85.00
9.0	33.00	125.00	73.00	115.00	76.00	111.00	79.00	105.00	82.00	98.00	84.00	92.00	88.00
10.0	34.00	120.00	76.00	108.00	79.00	105.00	82.00	99.00	84.00	92.00	88.00	86.00	91.00



BOGOTÁ - COLOMBIA

MANUFACTURED IN COLOMBIA



-  [juan.gonzalez@blacksquare.com.co](mailto:juan.gonzalez@blacksquare.com.co)
-  [blacksquare.com.co](http://blacksquare.com.co)
-  +57 3182503390
-  Cra 22 #88 - 16